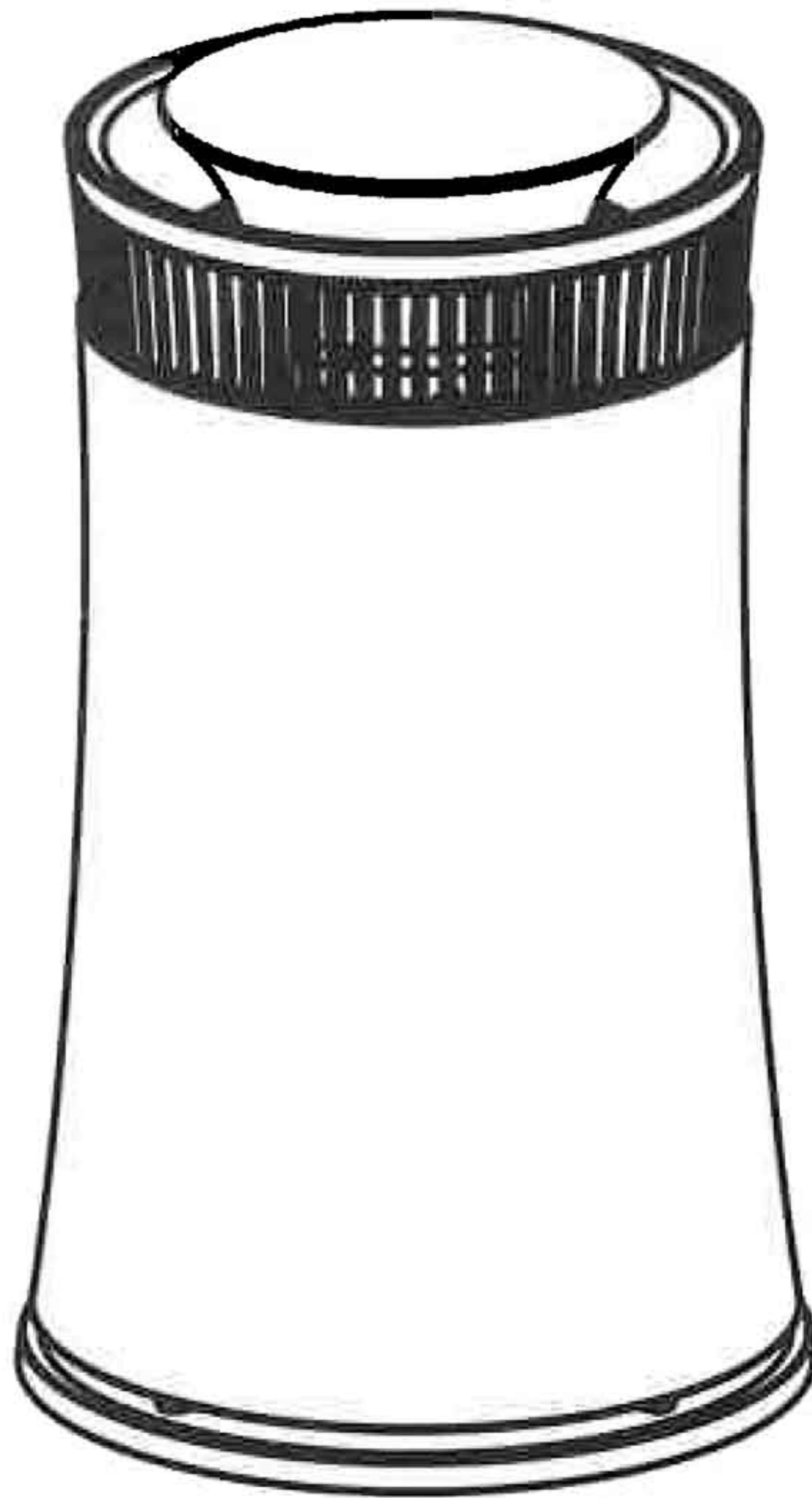


Air Purifier



User Manual

Contents

Key Features	03
Caution	03
Components	04
Getting started	05
Control panel functions	06
How to use	06
Maintenance	08
Trouble Shooting	10
Specifications	10
Warranty Card	12
Warranty Terms & Conditions	14

Welcome

Dear Customer,

Congratulations on your purchase of Air Purifier.

This product is meticulously designed with high quality materials and components

Please read the user manual carefully to familiarize yourself with the special features and functions of your air purifier. Keep it in a safe place for future reference.

Any queries & suggestions, please call us at

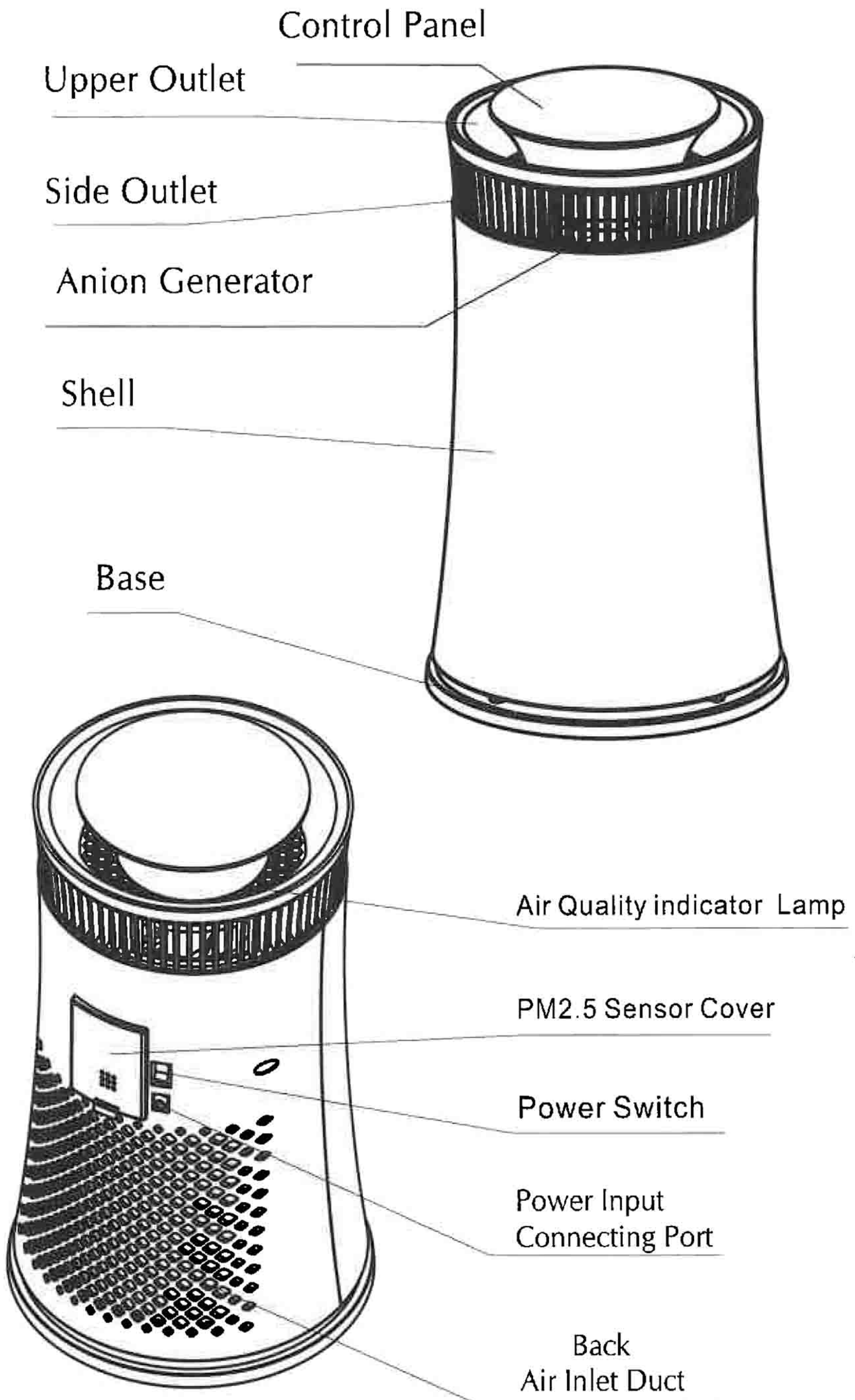
Key Features

- High airflow rate: 140 m³ per hour.
- Very low noise : < 25dB “Quieter than ambient noise”,
- Fashion statement: elegant and cozy, creating favorable environment for your bedroom and office.
- Effective and cleaner: excellent air flow rate and with HEPA filter make your room free from dust and odor
- Energy-efficient and safe : Brushless DC motor, low-voltage DC, Max power consumption <22 W

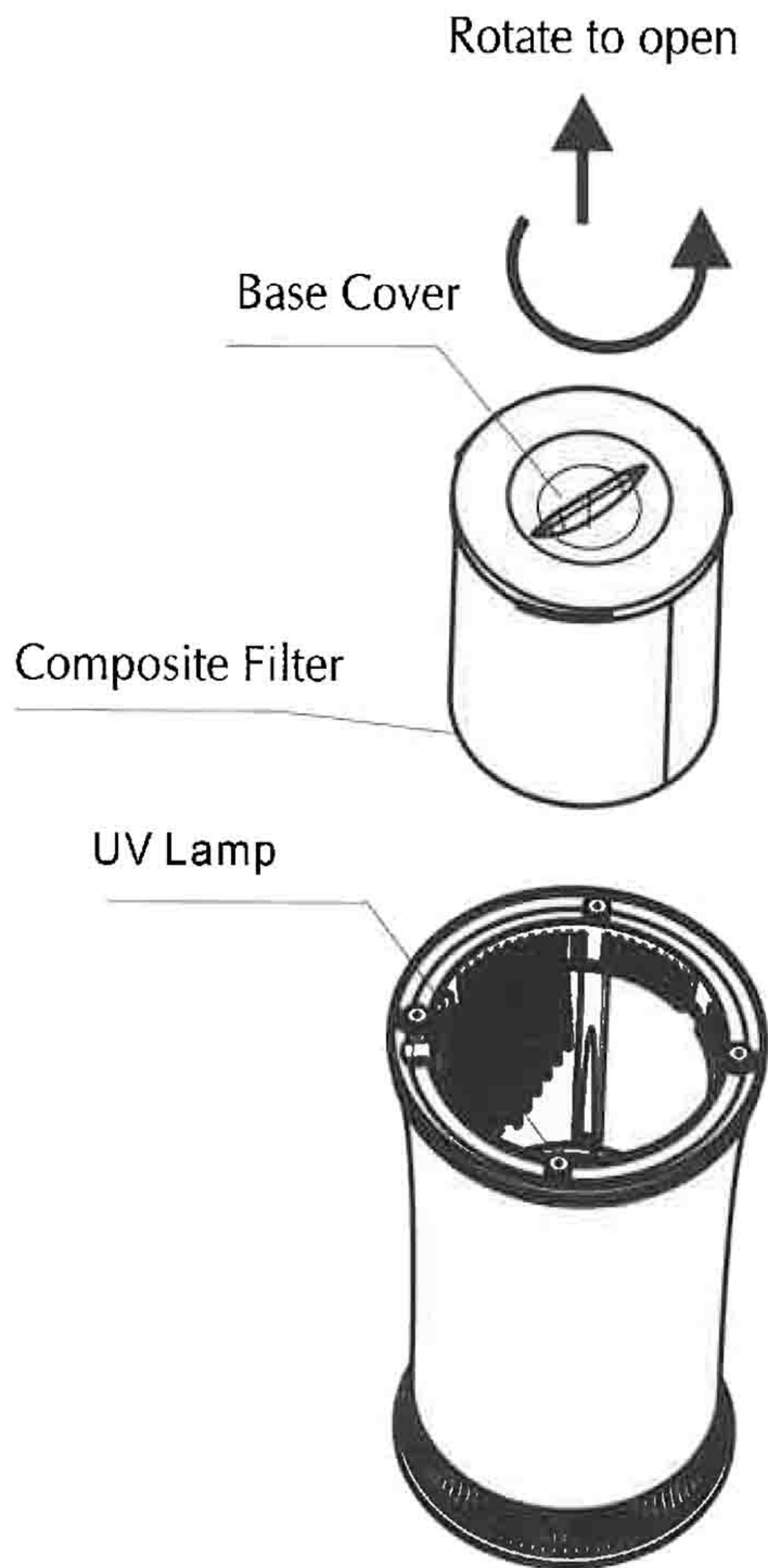
Caution

- Use only Original power adapter, in case the adapter or wire is damaged, please contact customer care
- Do not touch the electrical plug with wet hands
- Disconnect the power supply before replacing the filter, or if the product is not used for a long time
- Make sure the power supply is as per the voltage indicated on the adaptor i.e 220v/50Hz
- Do not put any object inside the air purifier either from inlet or outlet
- Do not block the inlet or the outlet of the air purifier
- Do not attempt to repair or dismental the air purifier, this needs to be done only by authorized service personnel
- Keep the air purifier away from the water, heat and fire
- Do not run the air purifier without filter, the suction of dust may cause problems in the equipment and its components

Components



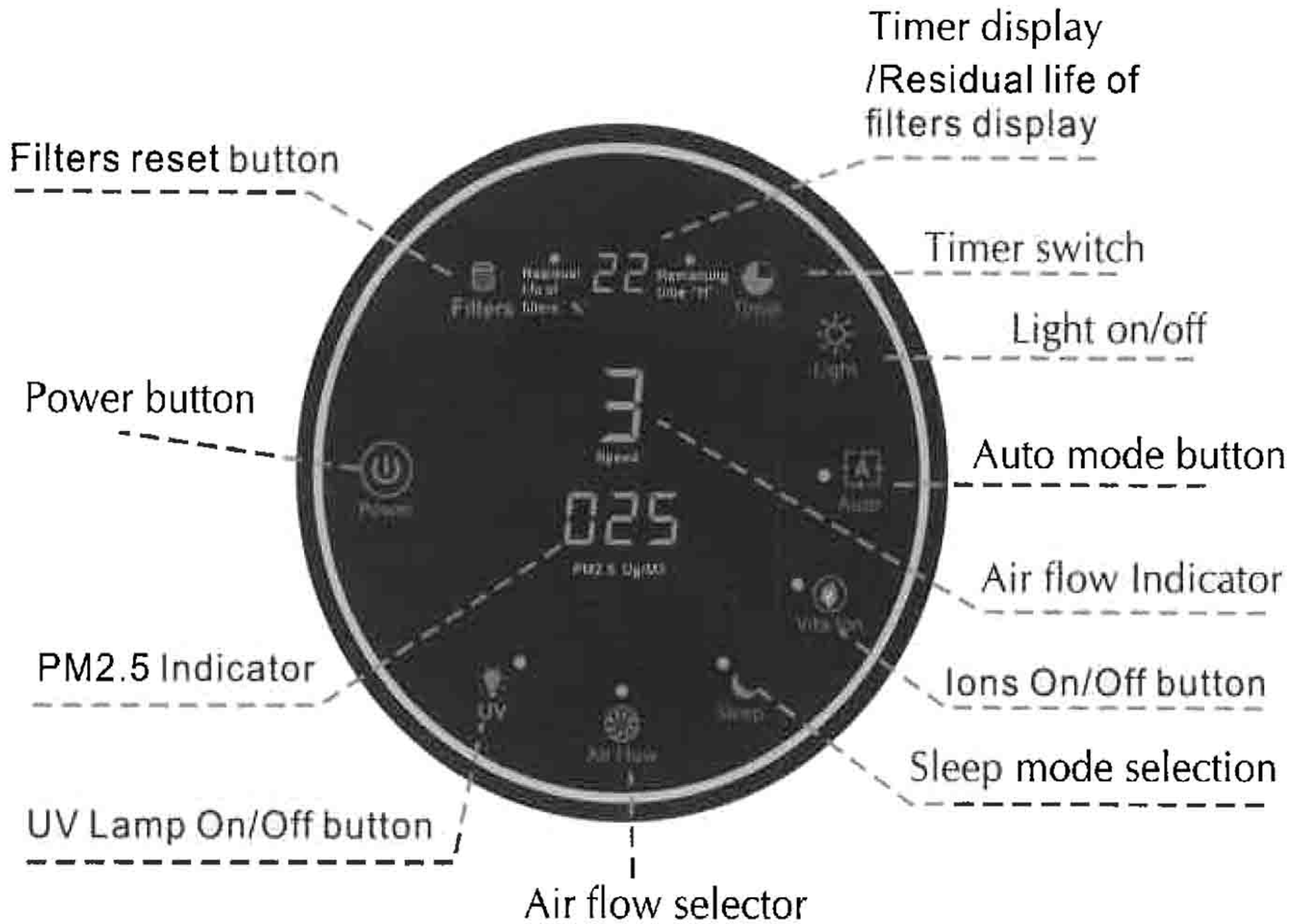
Components



Getting Started


- Turn upside down the equipment after unpacking it.
- Rotate the base cover to take out the filter by the guide arrow.
- Replace the filter after removing the packing. Take care to rotate the base cover in reverse direction described on step2.
- Attach power adapter to the corresponding port
- Keep the unit on a dry, stable and firm surface in stright, original position
- Insert the power adapter of the air purifier to the main power supply
- Switch on with "BEE" sound

Control Panel



How to use

Start:

After main power is switched on, press the  button. The Air Quality indicator Lamp will light up.

It will run in AUTO mode.

Auto run mode:

Press the [AUTO] button when the unit in another modes, it will go into the auto run mode.

In the [Auto] mode, the auto indicator will glow and the unit automatically adjust the air flow depending on the indoor air quality. The Air Quality indicator lamp will glow to the corresponding level of air quality

Colour of the Ring	Blue	Amber	Purple	Red
Air quality	Good	Moderate	Polluted	Bad

Sleep Mode:

Press the [SLEEP] button after the start or in the other mode, it will go into the sleep mode

In this mode the sleep indicator will light and the air purifier will run in speed 1 & speed 2

Manual mode:

Press the [AIR FLOW] button after the start or in the other mode, it will go into the manual mode

In this mode the corresponding speed indicator will light and the air purifier will run in selected speed. You can change the speed by pressing the air flow selector button.

Timer function:

Press the [TIMER] button after the start or in the other mode, it will go into the timer mode

In this mode you can set the specific time between 0.5-24 hrs to automatically switch off the air purifier. The set time will be indicated on the display.

Light control function:

Press the [LIGHT] button to switch ON/OFF the air quality light and air flow indicator. This function can be used during night, when you do not want any light to disturb your sleep

Ions function:

Press the **ions** button after startup or in other modes, the indicator will light while anion generator releasing anions.

Press the **ions** button again the indicator will light out and the anion generator stop releasing anions.

UV Lamp function:

Press the **UV** button after startup or in other modes, the indicator will light while the UV LED light.

Press the **UV** button again, stop this function

Stop Function

If you want to switch off the air purifier completely press the [Power] button, the unit will switch off and all light will be off

PM2.5 Indicator function:

After start up, the PM2.5 Indicator will glow twinkle, 30 seconds later, it will show the indication of PM2.5 detected by sensor.

Notice: This function cannot be used as Professional instrument

Filters reset button function:

Press this button when start up , the button lamp light , and the display will show the Residual life of filters “%” . 3 seconds later ,it will turn back.

When the filters needed to changed, the button Lamp glow twinkle . After replace filters, Press this button for 5 seconds to reset.

Maintenance

Before attempting to perform any maintenance on the air purifier, disconnect the power adapter!

Filter

Suggested time of changing filter: about once a year

- It depends on different places and usages. For example, changing time of filter may be shorter in contaminated zones or smoking areas, etc.
- Please change the filter if the purification effect is not good.

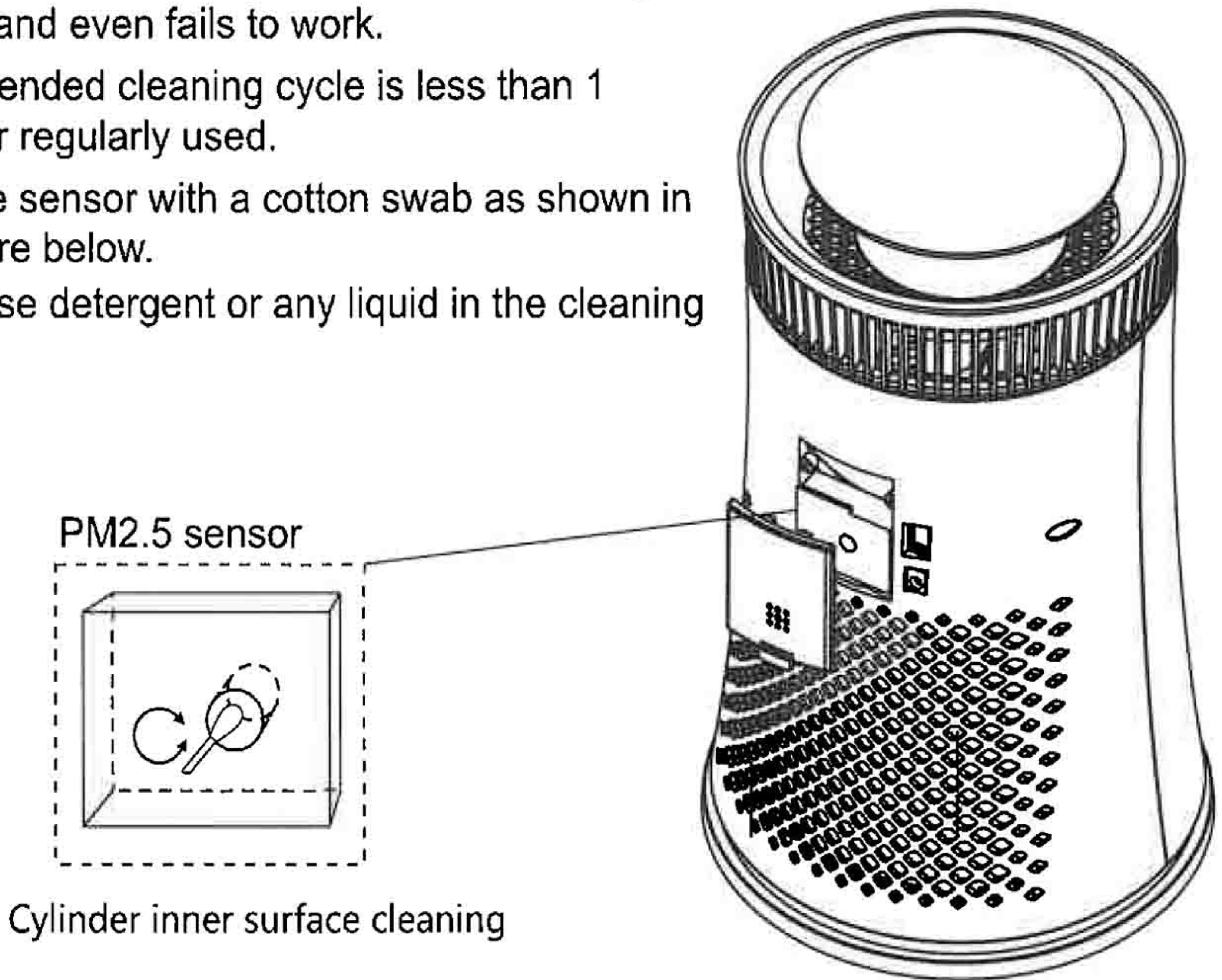
Cleanup routines: biweekly

- Use soft brush or dry cotton cloth to clean the filter surface only.
- Do not use water to wash the filter.
- Do not force press or pull because, the filter can be broken or deformed easily. Please change a new one before using, if it is damaged.

Sensor Cleaning

Notice

1. Keep surface of the sensor clean, or sensitivity is affected and even fails to work.
2. Recommended cleaning cycle is less than 1 month for regularly used.
3. Clean the sensor with a cotton swab as shown in the picture below.
Do not use detergent or any liquid in the cleaning process.



External surface

Please use dry soft fabric to wipe the surface, inlets and outlets

- Do not use the chemical cleaning agent

During long unuse

- Unplug the unit from socket
- Clean the surface and filter
- Store at a dry and cool place and cover with plastic bag

Troubleshooting

Problem	Reason & Solution
Smell	<ul style="list-style-type: none"> • The filter is too dirty because it's not replaced for a long time—replace the filter • Using the air purifier in moist conditions or water entered in the filter – Replace filter • Using unclean filter for a long time or completely choked filter — Clean the filter, if problem not resolved replace the filter. • Burning smell—stop the air purifier immediately and cut off the power; contact to repair it
No Air flow	<ul style="list-style-type: none"> • Air purifier being operated in sleep mode – change the mode • The air purifier is malfunctioning – check power supply, if still problem exists contact
Ineffectiveness	<ul style="list-style-type: none"> • The filter is choked and no longer is effective- replace the filter • Being Use at inappropriate places, such as oversize places

Specifications

Model	KJ150F-C02
Adapter Power Supply	Input -100-220V AC / Output - DC 24V
Unit power supply	24V DC, 1A
CADR	140 m ³ /hr
Noise level	Max: 56 dBa Min: <25 dBa
Dimension in mm	215x215x335
Net weight	1.8KG